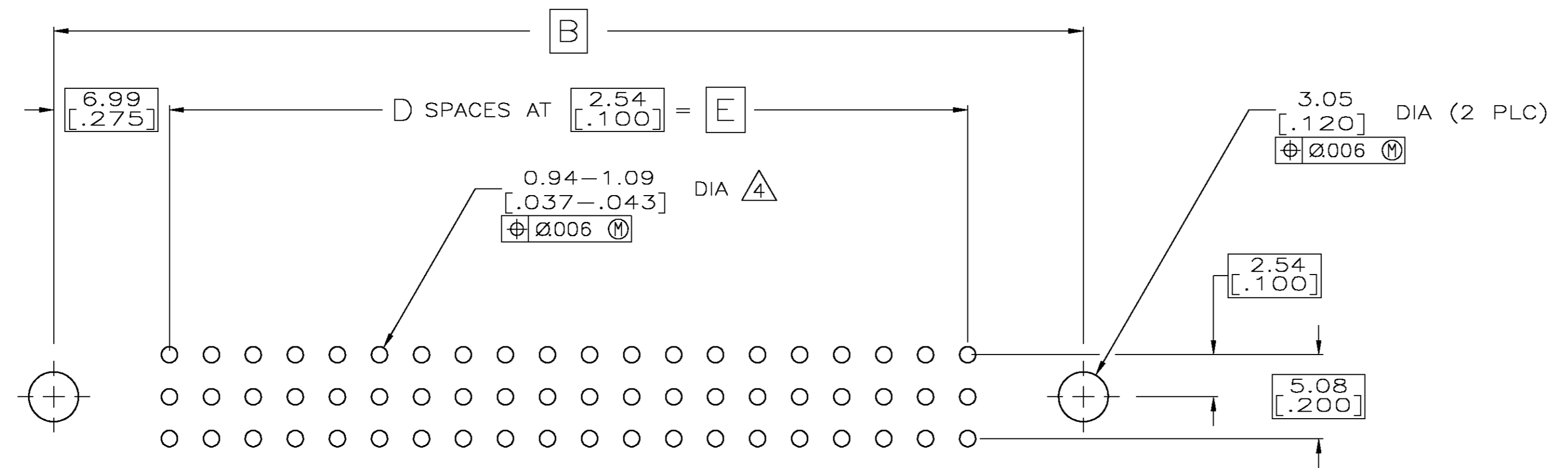
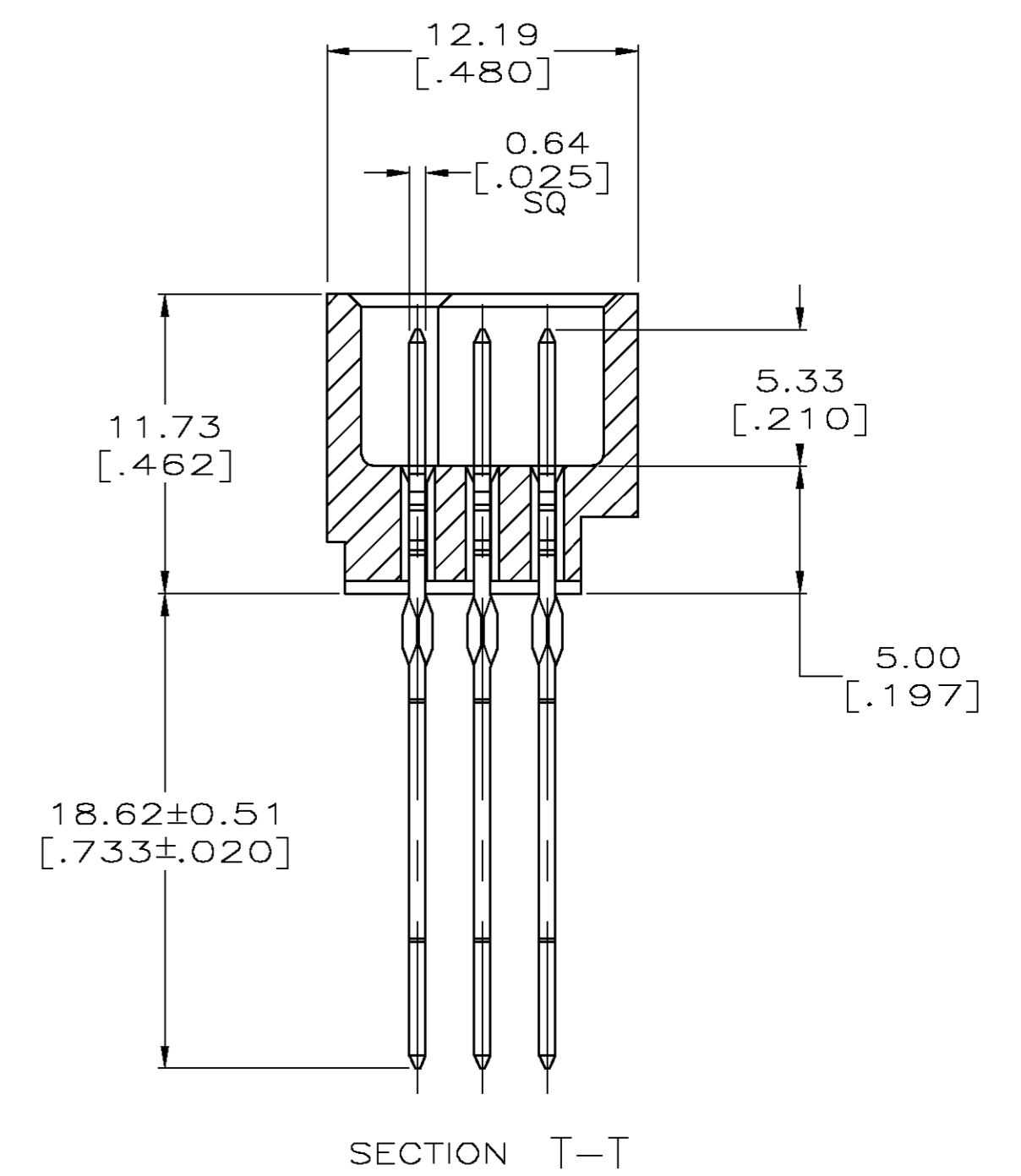
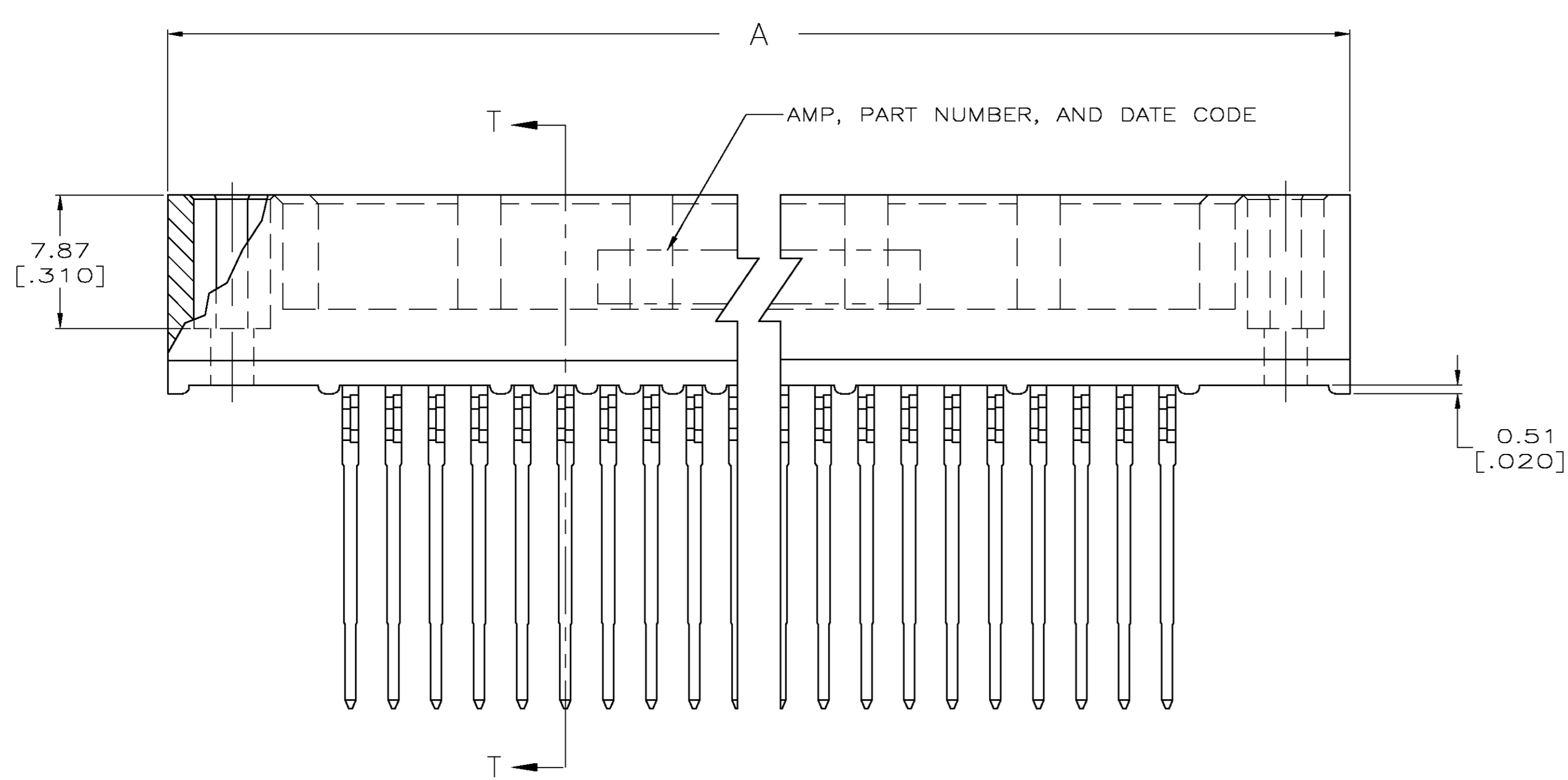


- △ HOUSING MATERIAL: THERMOPLASTIC, COLOR-BLACK.
- △ CONTACT MATERIAL: PHOSPHOR BRONZE.
- △ CONTACT FINISH: .00127-.00254 [.000050-.000100] NICKEL UNDERPLATE ALL OVER; .00076 [.000030] GOLD PLATE IN CONTACT AREA, TIN PLATED POSTS.
- △ ACTION PIN POSTS REQUIRE 2.36 [.093] MIN THICK P.C. BOARD. RECOMMENDED P.C. BOARD HOLES ARE 1.151 [.0453] DIA PLATED THRU WITH 0.025-0.076 [.001-.003] COPPER, WITH 0.0076 [.0003] MIN TIN-LEAD PLATING; FINISHED HOLE AFTER PLATING 0.94-1.09 [.037-.043] DIA.



175.26 [6.900]	69	179.07 [7.050]	189.23 [7.450]	196.85 [7.750]	210	1-5532432-1
149.86 [5.900]	59	153.67 [6.050]	163.83 [6.450]	171.45 [6.750]	180	5532432-9
E	D	C	B	A	POSN	PART NUMBER

THIS DRAWING IS A CONTROLLED DOCUMENT. DRN J. POLIGNONE 11MAY05
 GJK A. SHARPE 11MAY05
 NAME ASSEMBLY, PIN, VERTICAL, HDI, LEAD-FREE, 3 ROW, WITHOUT GUIDE PINS, 18.62[.733] LONG ACTION PINS, .00076 [.000030] GOLD PLATE
 PRODUCT SPEC
 APPLICATION SPEC
 SIZE A1 00779 C=5532432
 WEIGHT
 CUSTOMER DRAWING SCALE 4:1 SHEET 1 OF 1 REV 0